

INTRODUCTION

Loop isolators provide signal protection by electrically isolating the input signal from the output.

TxIsoLoop-1 and **TxIsoLoop-2** simplify your application and avoid the undesirable ground loops by providing single and dual loop galvanic isolation. The 0/4-20 mA input is measured and an identical isolated signal is reproduced at the output. Power is drawn from the 0(4)-20 mA input loop, thus no auxiliary power or an external power supply is needed.

Control...
And beyond

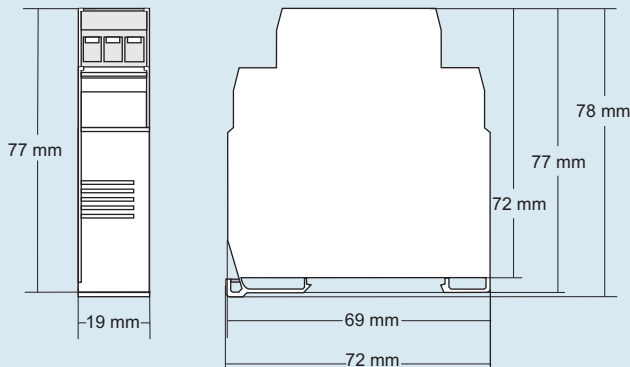


FEATURES

- Input/output galvanic isolation
- Models for 1 or 2 channels
- No need for power supply
- Powered from the input loop
- Calibration free. High accuracy

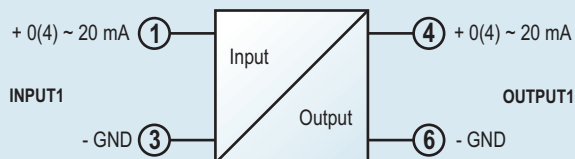
SPECIFICATIONS

DIMENSIONS



BLOCK DIAGRAMS

CHANNEL 1



CHANNEL 2

